



QUICKSEAL SECURE XP

PATENT PENDING

PRODUCT GUIDE

Hermetic Seal: The Secure XP was designed to prevent access in any way to the internal part of the security seal. Ease of use and eliminating the possibility injury from pointy or sharp ends of wires makes the seal an excellent tool for any working environment.

Security: The Secure XP prevents two prevalent forms of tampering on traditional "pad lock" seals. The first form of tampering comes in the form of Pre-Tampering when most "padlock" type seals are in the open position. This means the anchor shaped wire is crimped and this crimp prevents the seal from locking once the wire is inserted into the seal. The second form of tampering comes from the use of muriatic acid. This attack dissolves the wire allowing a new wire to be inserted. Both these forms of tampering leave no signs of tampering.

Manufacturing: All NIC Products are manufactured under ISO 9001-2008 qualifications.

Marking: The Secure XP can come with a variety of markings from the new 2D barcodes, Linear Barcodes, and numbering. The seal can also come with Company logos and warning label.

Colors: Red, Green, yellow, brown, blue, grey, black (more upon special order).



QUICKSEAL SECUREXP

PATENT PENDING



100% recyclable plastic tray with 10 units

VERSATILE WIRE-LOOP SEAL

Material:

1. Polycarbonate (with UV additive).
2. Acrylic (with UV additive).

Wire:

Stainless steel monofilament wire type 304.

Capsule:

Internal locking mechanism permanently secures anchor and wire upon closing.

Colors:

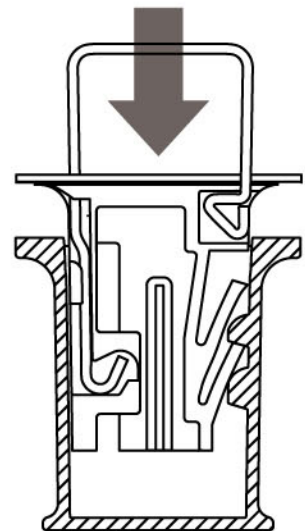
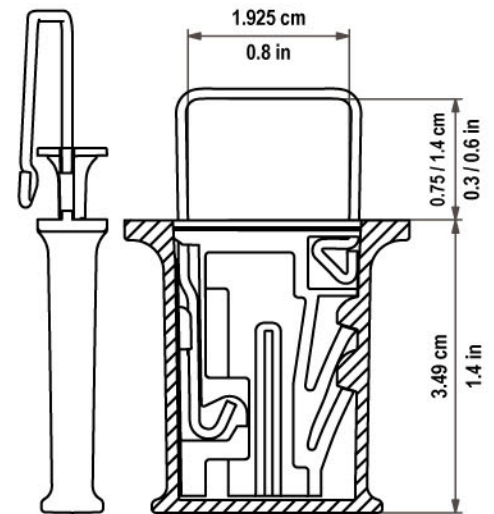
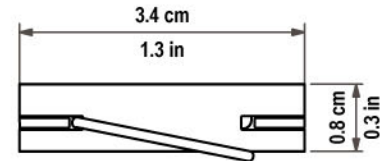
1. Standard - Clear, Red, Blue, Yellow, Amber, Green, Gray, Black and Brown.
2. Custom - Opaque and fluorescent colors available subject to minimum order quantity.

Packaging:

100 seals per bag and 5,000 seals per box.



White Red Blue Yellow Amber Green Gray Brown Black



3100 Oak Road - Suite 380
Walnut Creek, California
94597 USA

Tel: (925) 930-2883
Fax: (925) 930-2885

Security Seals For The 21st Century
www.nicproducts.com